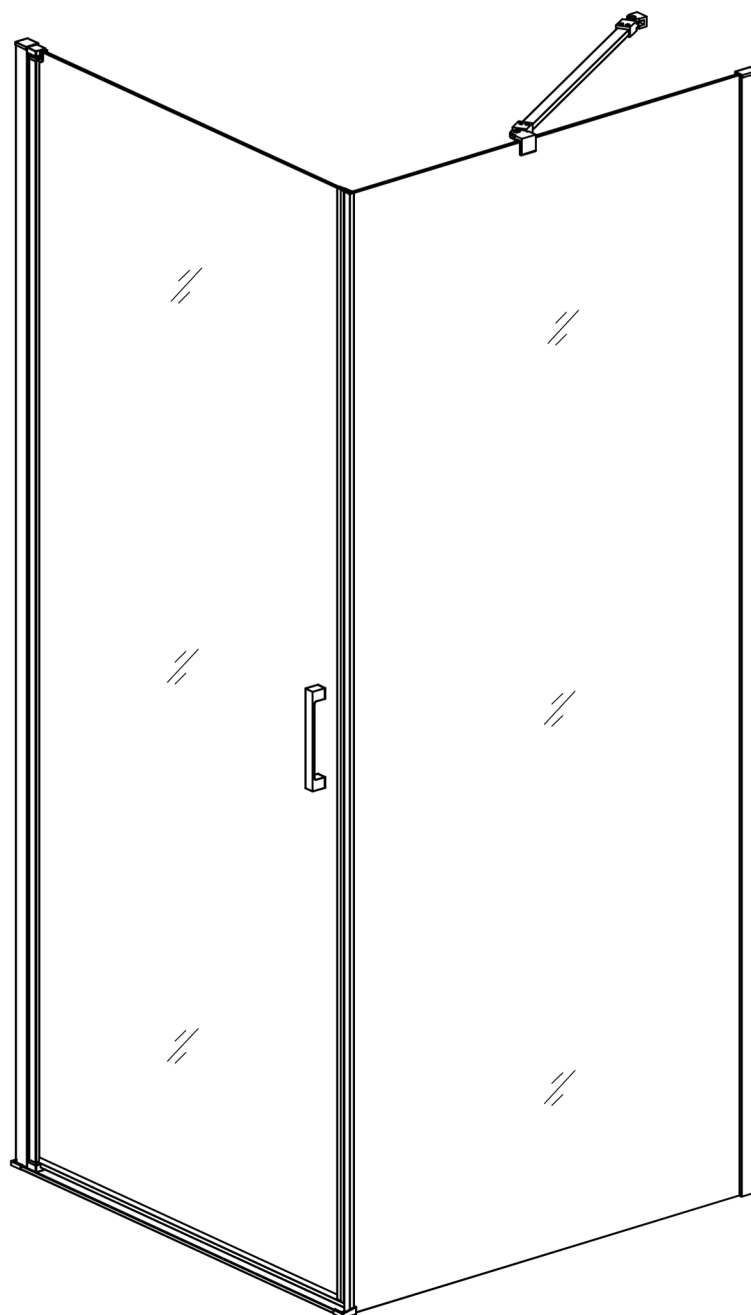
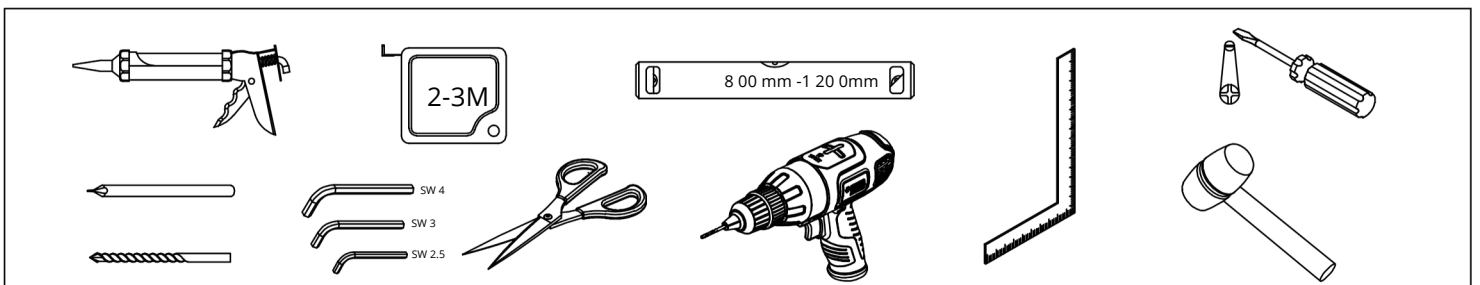
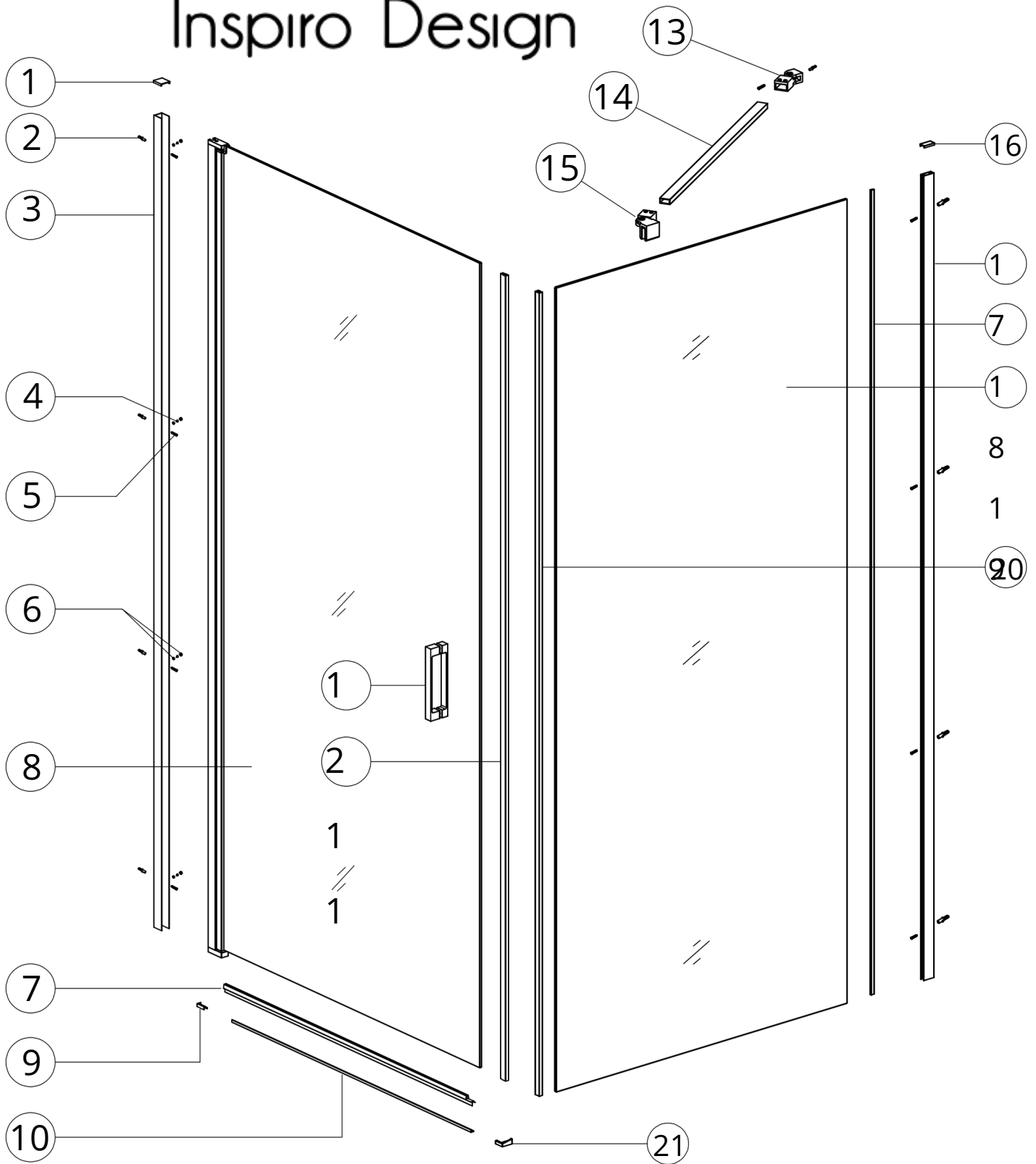
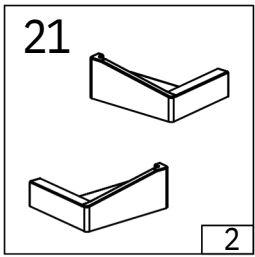
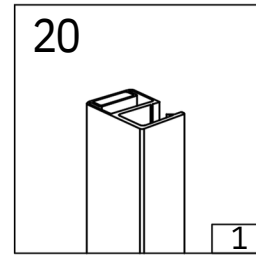
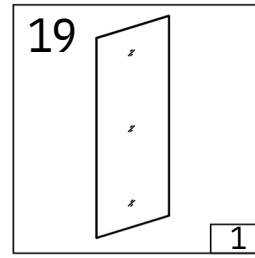
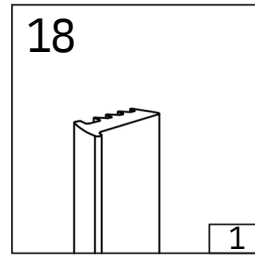
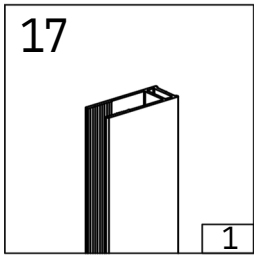
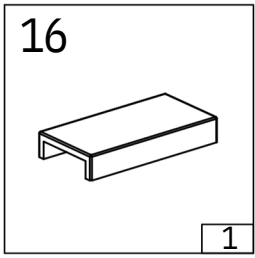
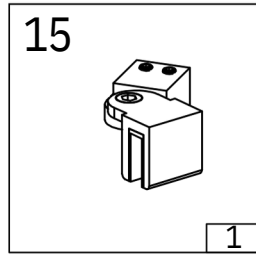
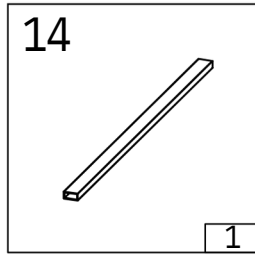
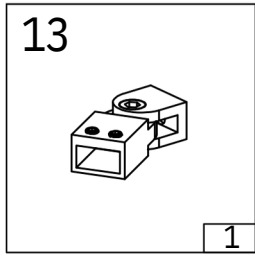
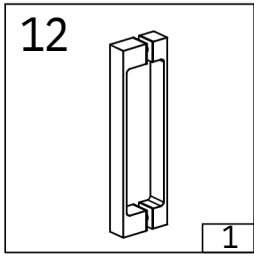
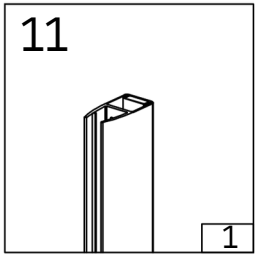
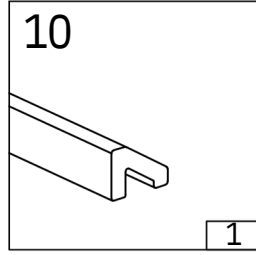
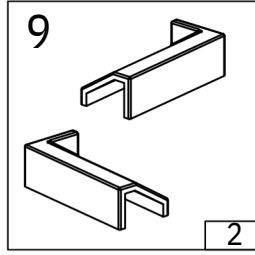
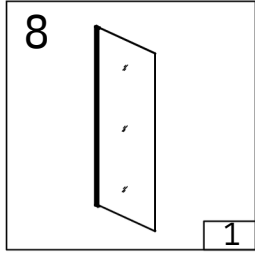
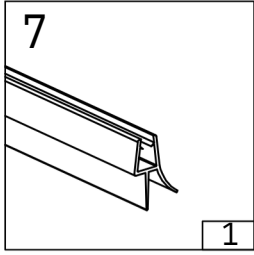
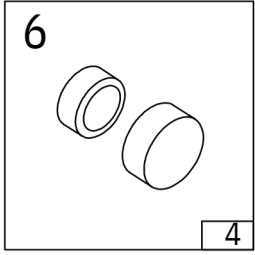
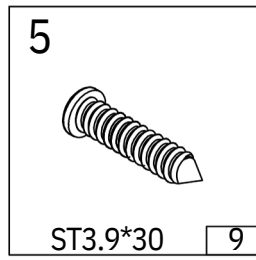
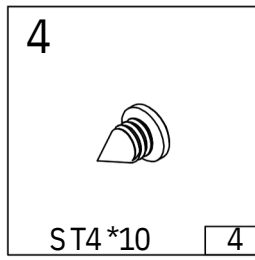
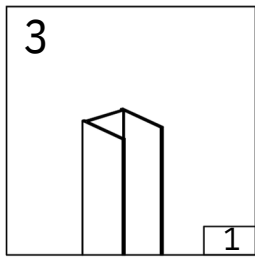
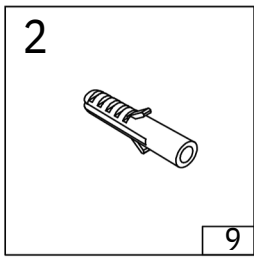
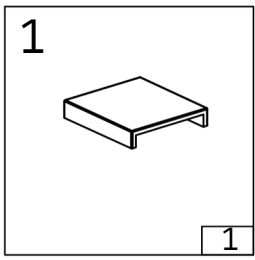


# Inspiro Design

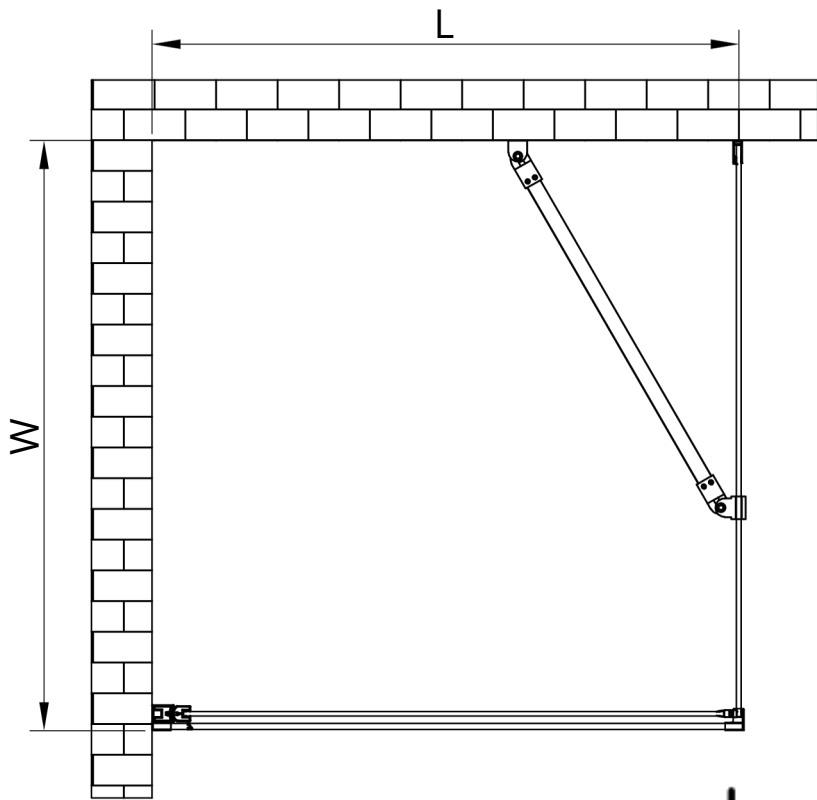


# Inspiro Design



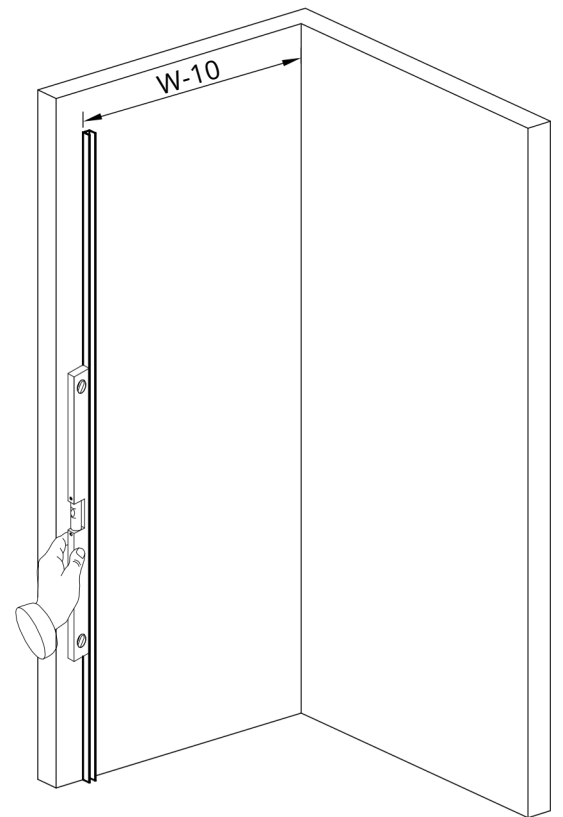
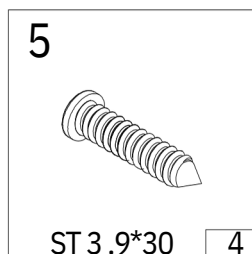
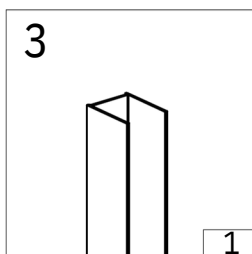
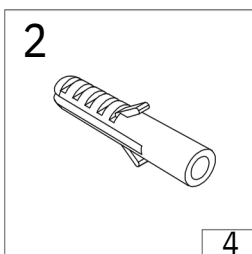
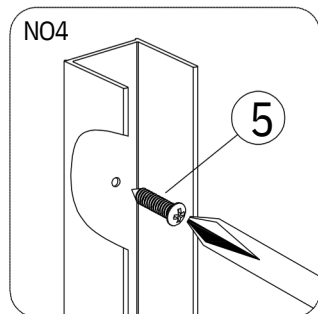
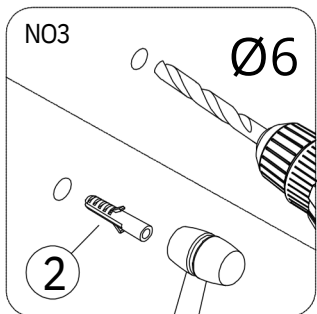
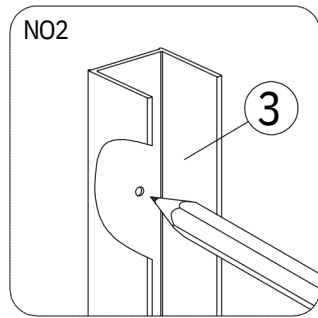
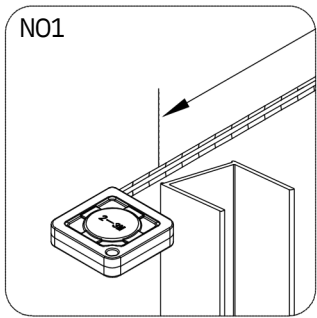


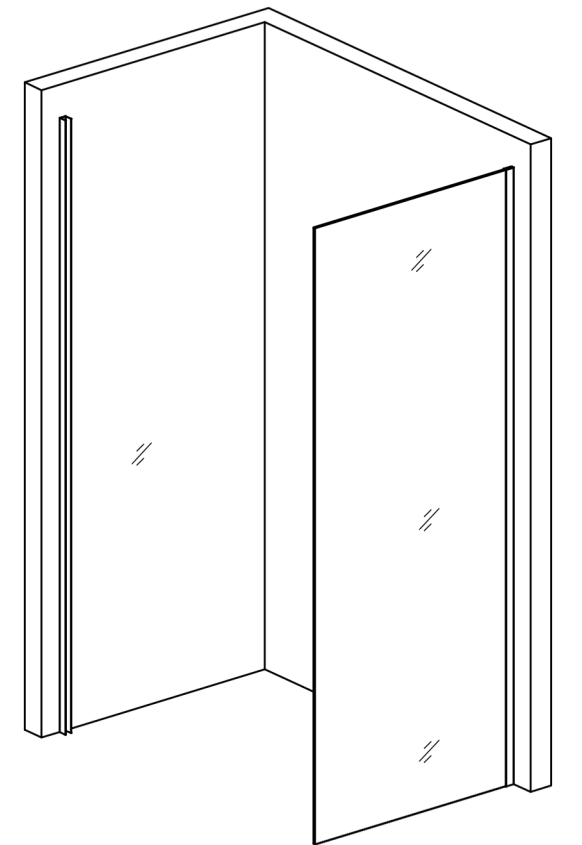
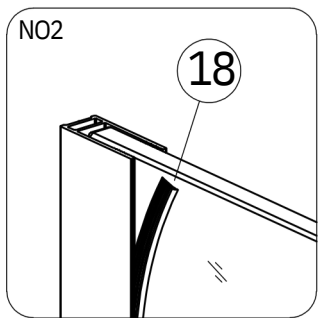
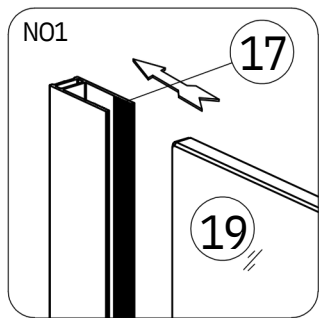
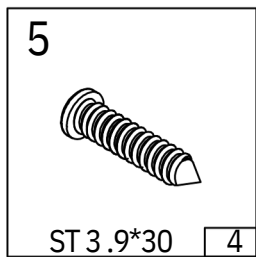
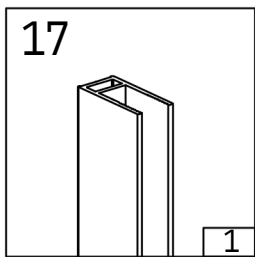
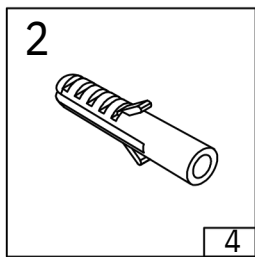
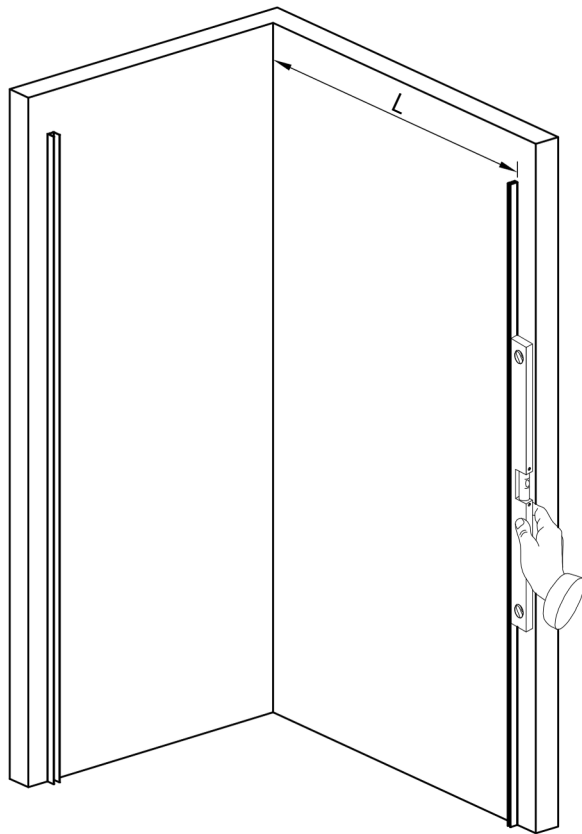
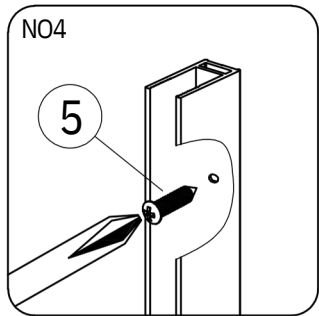
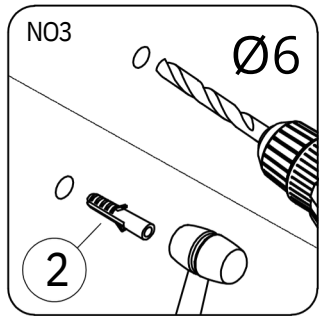
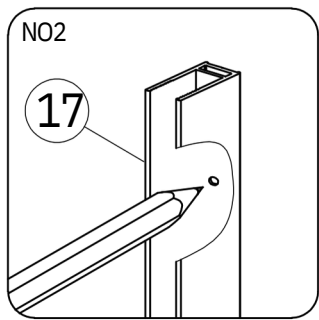
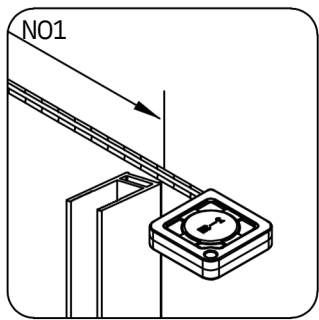
Inspiro Design



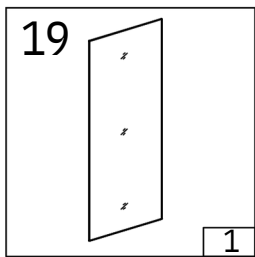
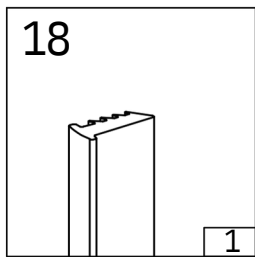
	L 780-		W	
1	80	795	80	780-795
2	0	8 80-	0	88 0-895
	90	895	90	
	0		0	

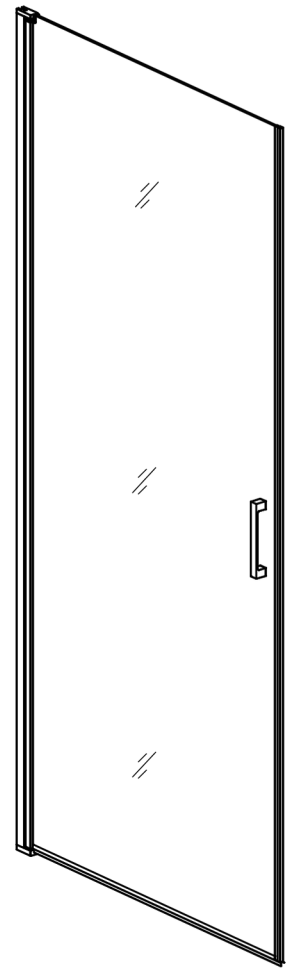
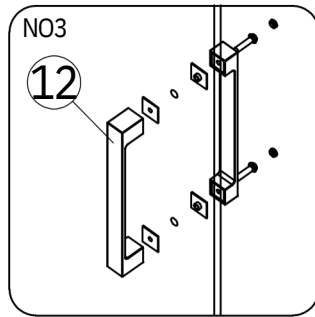
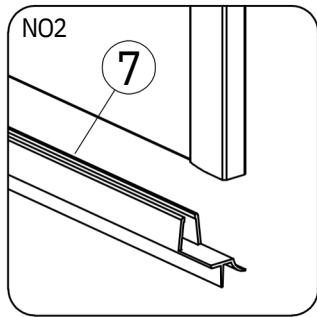
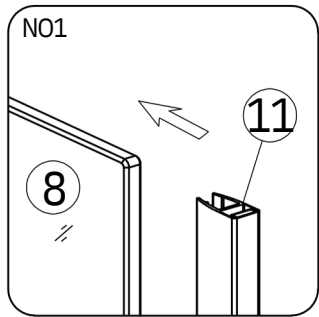
# Inspiro Design



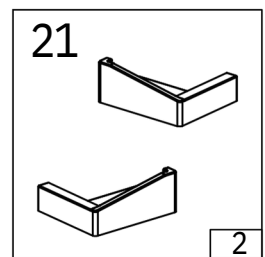
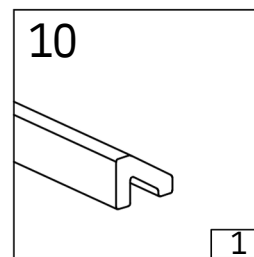
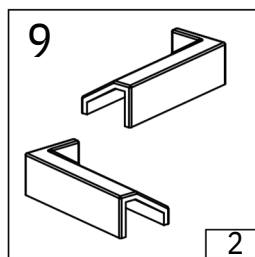
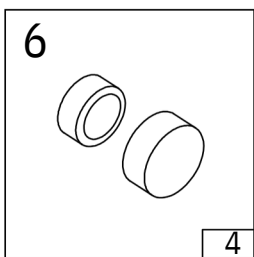
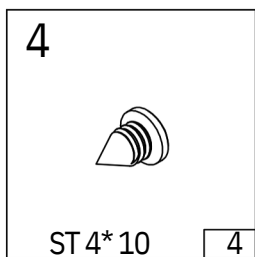
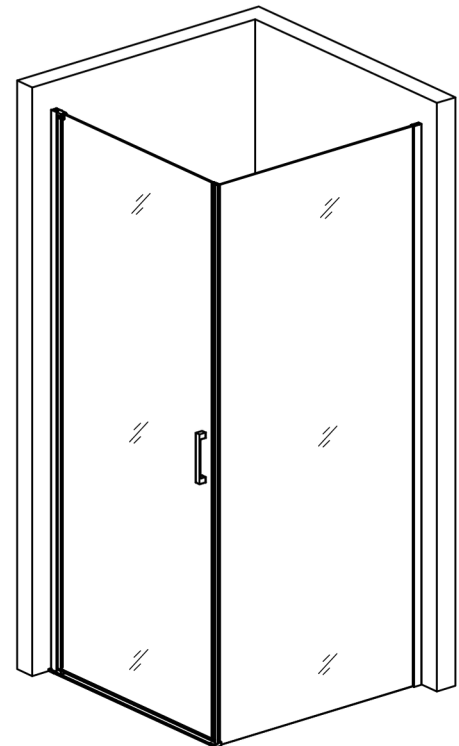
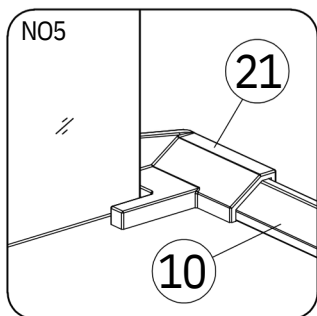
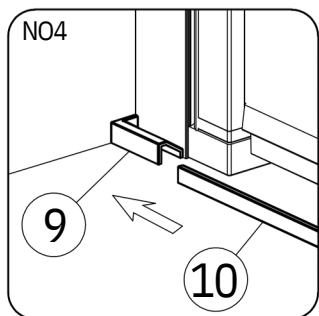
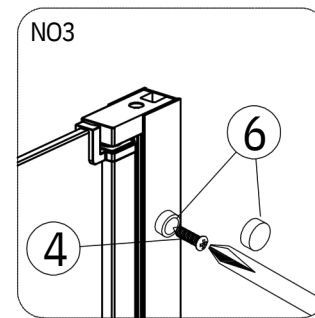
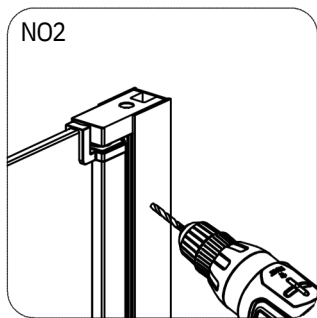
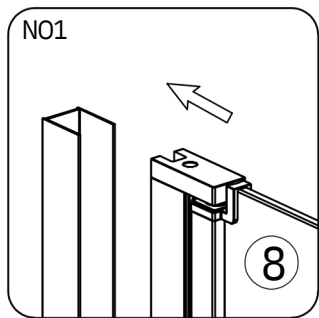
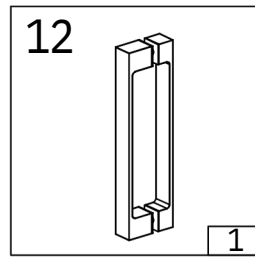
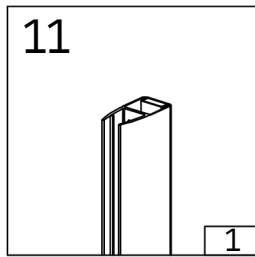
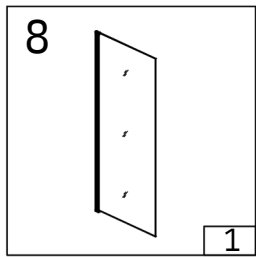
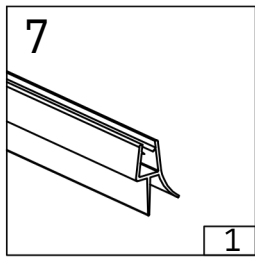


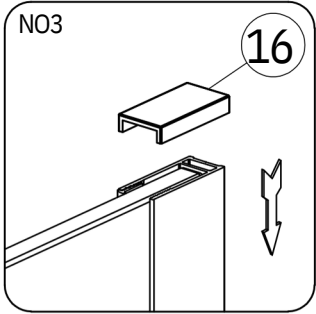
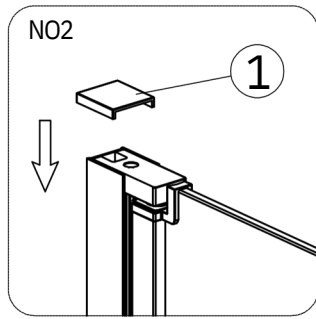
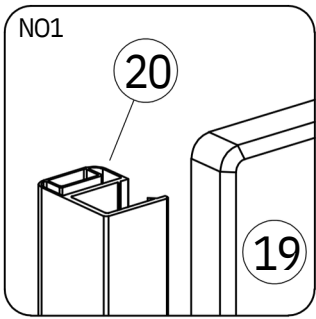
# Inspiro Design



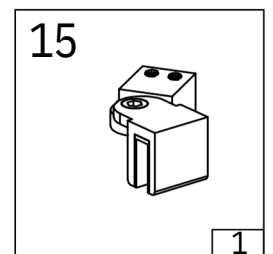
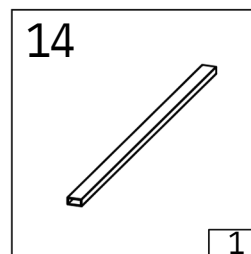
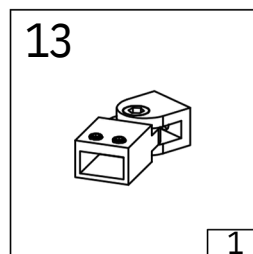
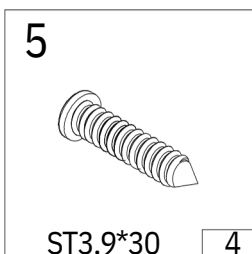
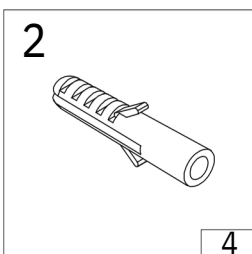
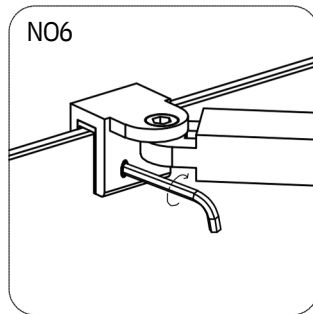
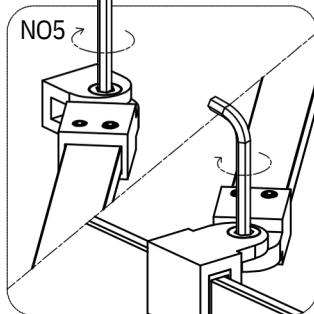
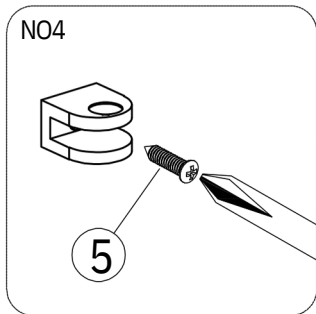
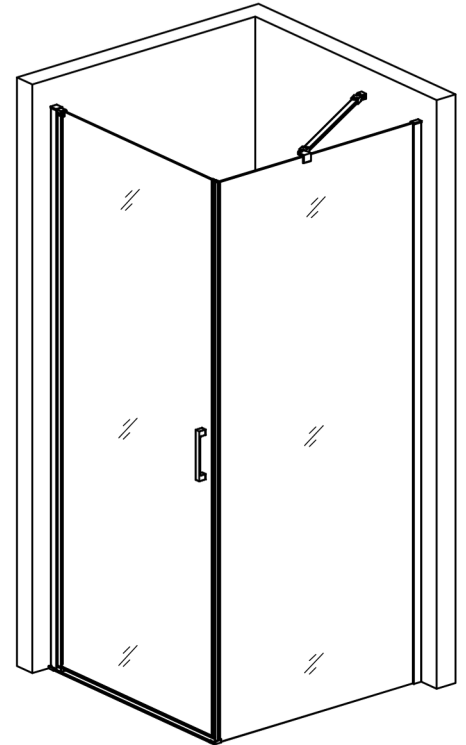
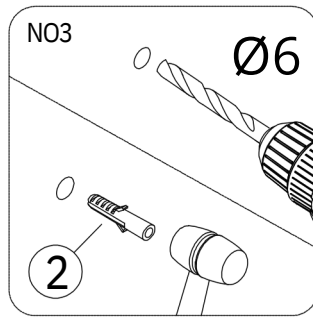
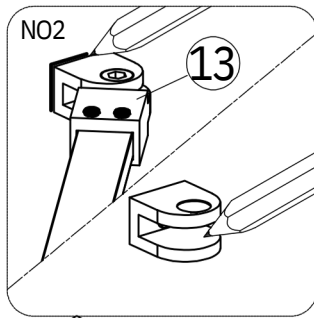
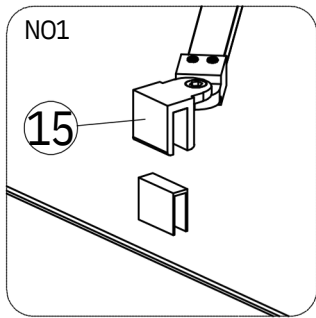
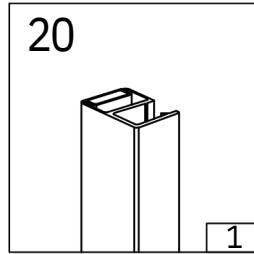
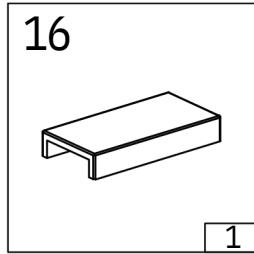
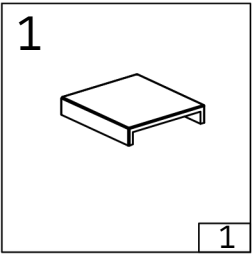
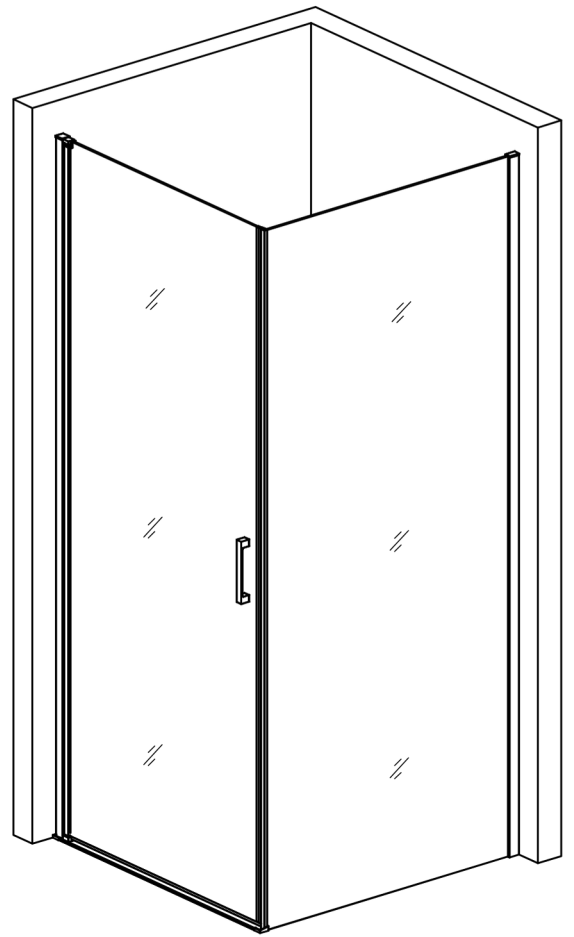


# Inspiro Design





Inspiro Design



# Inspiro Design

